

Stopwatch

Instruction Manual



Time

The Mudtest stopwatch helps to perform the Marsh funnel test and to measure time intervals during tests of fresh concrete and grout.

Description

The Mudtest timer is a classic stopwatch that can also be used to record split times. This makes the Mudtest stopwatch ideal for measuring viscosity with the Marsh funnel in accordance with API 13B-1 and to measure the time for the drilling fluid to fill to 946ml (1quart) mark of the cup.

Because the timer or clock has a resolution higher than 0,5 s, it also meets the tighter tolerance specifications of the EN 12350 series of standards and can be used for examining fresh concrete.

The Mudtest stopwatch even satisfies the requirements of EN 445 and the test methods of grout for prestressing tendons, since the fluidity test with the cone requires a stopwatch showing time to 0,1 s.

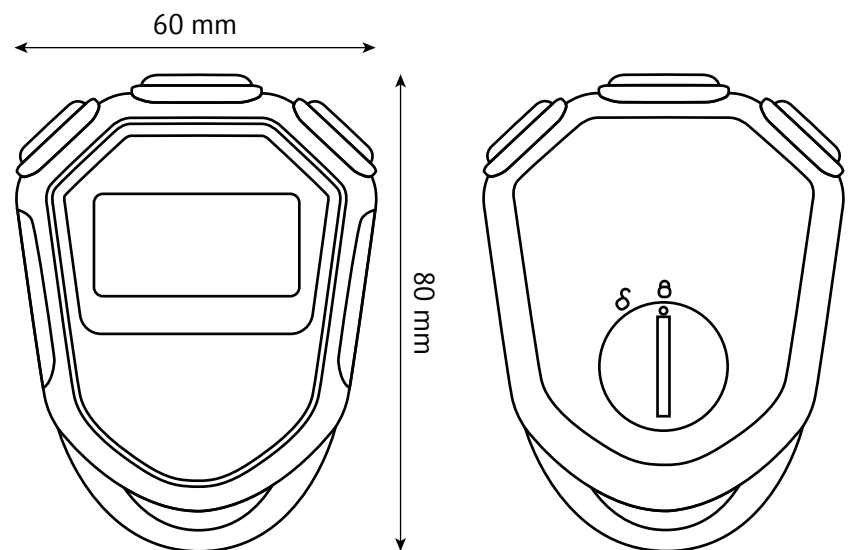
The stopwatch shows the time in 12/24h time format, has an alarm function and a calendar. The stopwatch is splash-proof. The battery lock on the back can be opened without a screwdriver.

The Mudtest stopwatch is suitable for tests according to the following standards, among others:

- NF P 18-507
- DIN 4127
- DVGW W 116
- EN 12350
- EN 445
- API 13B-1 / ISO 10414-1
- API 13B-2 / ISO 10414-2

Technical specifications

Dimensions	: 60 x 80 x 17 mm (B x H x T)
Weight	: 14 g 0,03 lbs
Power supply	: 1x AG13 button battery (included)
Memory slots	: 2
Display	: 1/100 second
Time format	: 12/24 h
Transport	: Lanyard (included)
Protection class	: splashproof



Operation

By pressing the MODE button you can switch between the following functions:

- Time, date, alarm clock
- stopwatch
- Adjusting the alarm clock
- Adjusting the time and date

Time, date, alarm clock

In time, date, alarm clock mode, the time is always displayed.

The date is displayed by pressing the START/STOP button. The date is displayed in the US format. MONTH DAY

Pressing the SPLIT/RESET button displays the time for the alarm clock.

If you hold down the SPLIT/RESET button and press the START/STOP button at the same time, you can switch the alarm function on or off. A small bell will appear on the display depending on the activity status. If there is an H next to the alarm time, it means that the clock is running in 24-hour mode. An A stands for AM and a P stands for PM when the watch is set to 12 hour mode.

If you hold down the SPLIT/RESET button and press the MODE button at the same time and several times, you can specify whether the alarm clock should ring daily at the set time or just once. The alarm clock rings daily when all days of the week are displayed. If there are no days of the week in the top row of the display, then the alarm will only ring once.

SU = Sunday
MO = Monday
TU = Tuesday
WE = Wednesday
TH = Thursday
FR = Friday
SA = Saturday

Stopwatch

You can access stopwatch mode by pressing the MODE button once.

Start the time measurement by pressing the START/STOP button. If you now press the START/STOP button again, you interrupt the time measurement. If you press the START/STOP button again, the time will continue. The stopwatch can be reset by pressing the SPLIT/RESET button.

To determine intermediate times, first press the START/STOP button. When an intermediate time is reached, press the SPLIT/RESET button. The split time is now displayed to you, while the stopwatch continues to run in the background. If you now press the SPLIT/RESET button again, the display jumps to the elapsed time. Caution: The stopwatch has no memory. So you must write down the split times before you press the SPLIT/RESET button again. Stop the measurement by pressing the START/STOP button. Alternatively, you can determine other intermediate times.

For series of measurements that only require an intermediate time, proceed as follows: Press the START/STOP button to start the measurement. When the first event for which you need a time measurement has occurred, press the SPLIT/RESET button. Once the second event for which you need a time measurement has occurred, press the START/STOP button. The display continues to show the split time. The total time is only displayed if you press the SPLIT/RESET button again. This method is suit-

able, for example, for determining hopper discharge times, in which a distinction is made between discharge time and remaining discharge time. After pressing the START/STOP button, you can tidy up in peace and record the values later in the site office. But be careful here too: As soon as you press the SPLIT/RESET button, the intermediate time is gone.

Pressing the MODE button takes you back to the time, date, alarm clock view.

Adjusting the alarm clock

You can access the mode for adjusting the alarm clock by pressing the MODE button twice.

Note that the alarm clock turns on and off in the Time, Date, Alarm clock view. In this mode, only the time for the alarm clock is adjusted.

You can toggle between the hours and minutes by pressing the SPLIT/RESET button.

You can change the time for the alarm clock by repeatedly pressing the START/STOP button.

By pressing the MODE button, the alarm clock settings are saved and you return to the time, date, alarm clock view.

Adjusting the time and date

You can access the mode for adjusting the time and date by pressing the MODE button three times.

You can toggle between seconds, minutes, hours, days and months by pressing the SPLIT/RESET button.

You can set seconds, minutes, hours, days and months by repeatedly pressing the START/STOP button. You can achieve fast counting up by holding down the START/STOP button.

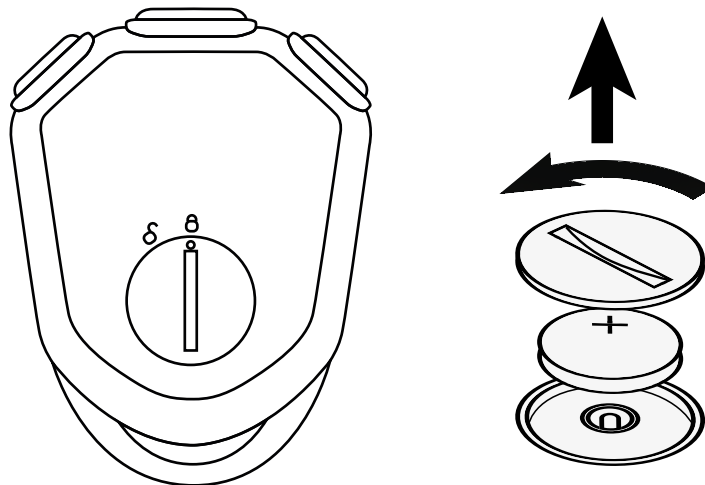
By pressing the MODE button, the settings are saved and you return to the time, date, alarm clock view.

Maintenance and Care

The Mudtest stopwatch requires little maintenance. Please pay attention to cleanliness and proper storage. Store the stopwatch in a dry place and avoid contact with corrosive media. Avoid direct sunlight and bright light over a long period of time, as the quality of the display will suffer.

Battery change

If the characters on the display become faint or illegible, please change the battery. To do this, you can open the round cover on the back of the stopwatch, e.g. with a 20 cent coin, change the battery and screw the cover tight again.



Order information

Stopwatch

3600.00.00000

Disposal

This product and packaging are manufactured using high quality materials and components that can be recycled and reused. This reduces waste and protects the environment. Dispose of the packaging in an environmentally friendly manner using the collection systems that have been set up.



Disposal of the electrical device

Remove non-permanent batteries and rechargeable batteries from the device and dispose of them separately.



This device is labeled in accordance with the EU Waste Electrical and Electronic Equipment (WEEE) Directive.

This product must not be disposed of with household waste. The user is obliged to hand in the old device for environmentally friendly disposal at a designated acceptance point for the disposal of electrical and electronic devices. Observe the currently applicable regulations!



Disposal of the batteries

Batteries and accumulators must never be disposed of with household waste. They contain pollutants such as heavy metals, which can be harmful to the environment and health if not disposed of properly, and valuable raw materials such as iron, zinc, manganese or nickel, which can be recovered.

As a consumer, you are legally obliged to hand in used batteries and accumulators for environmentally friendly disposal to retailers or to appropriate collection points in accordance with national or local regulations. The return is free of charge. Addresses of suitable collection points can be obtained from your city or local government.

The designations for the heavy metals contained are:
Cd=cadmium, Hg=mercury, Pb=lead.

Reduce battery waste by using longer life batteries or suitable rechargeable batteries. Avoid littering the environment and do not leave batteries or electrical and electronic equipment containing batteries lying around. The separate collection and recycling of batteries and accumulators makes an important contribution to protecting the environment and avoiding health hazards.

